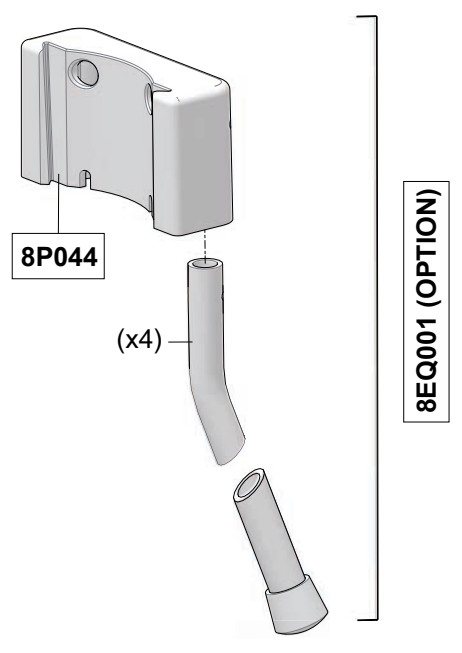
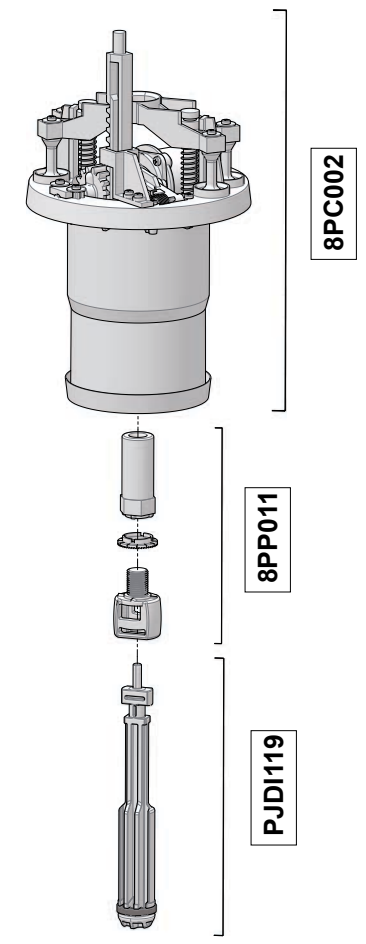
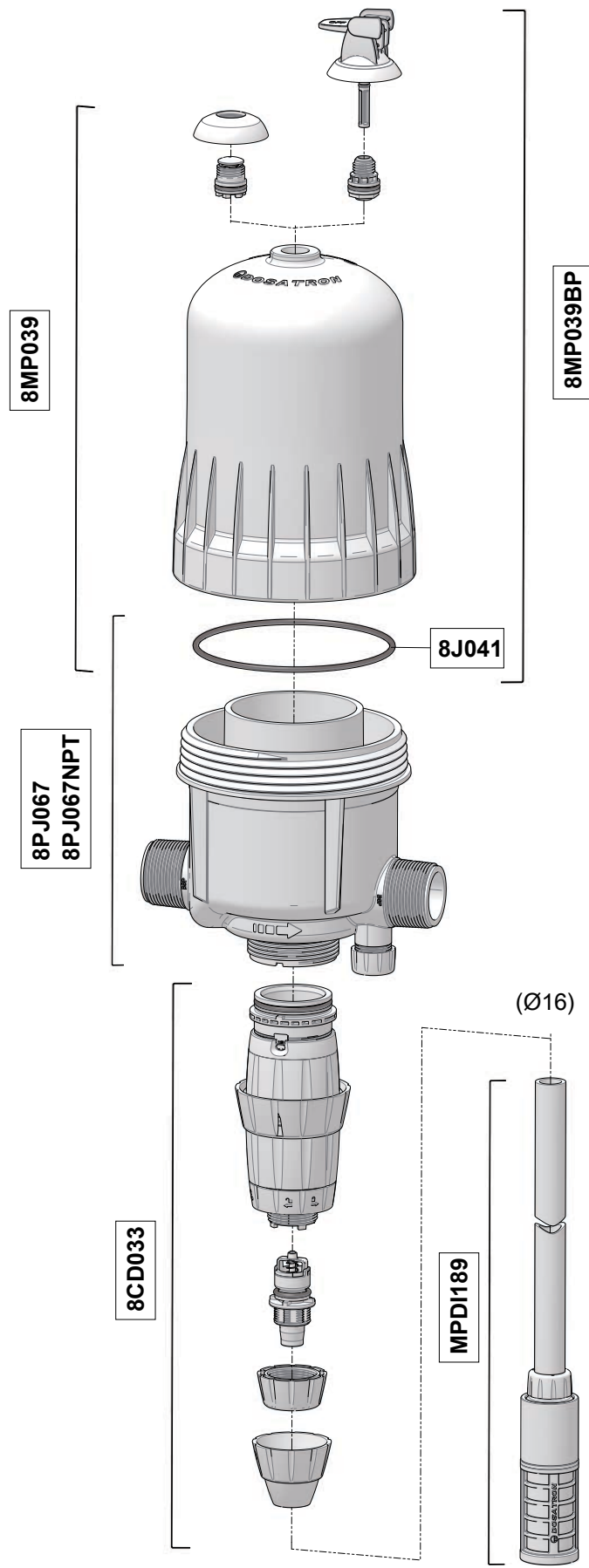


# D8 0.2 - 2%

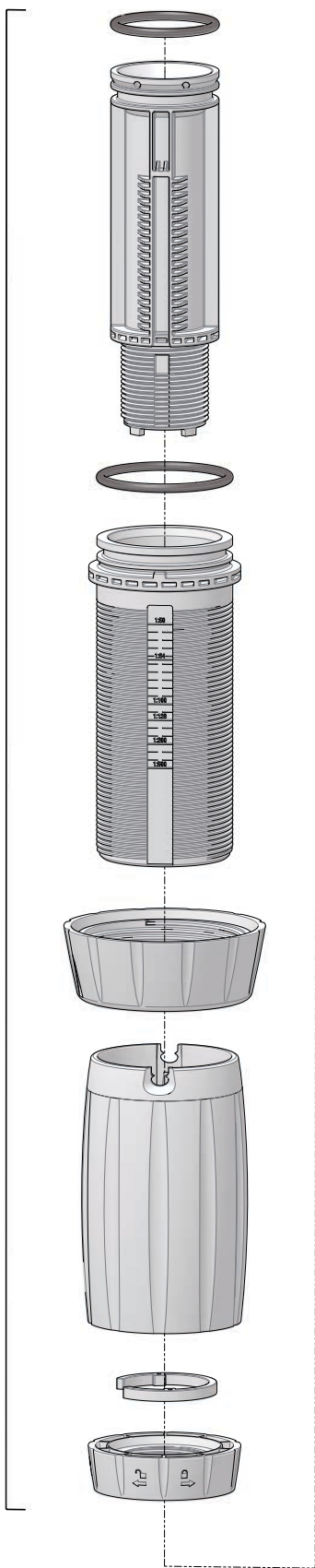
8m<sup>3</sup>/h - 0.2 - 2%  
 40 GPM - 1:500 - 1:50  
 0.15 - 8 bar  
 2.2 - 116 psi



# D8 0.2 - 2%

8m<sup>3</sup>/h - 0.2 - 2%  
40 GPM - 1:500 - 1:50  
0.15 - 8 bar  
2.2 - 116 psi

8CD033



PJDI120V

