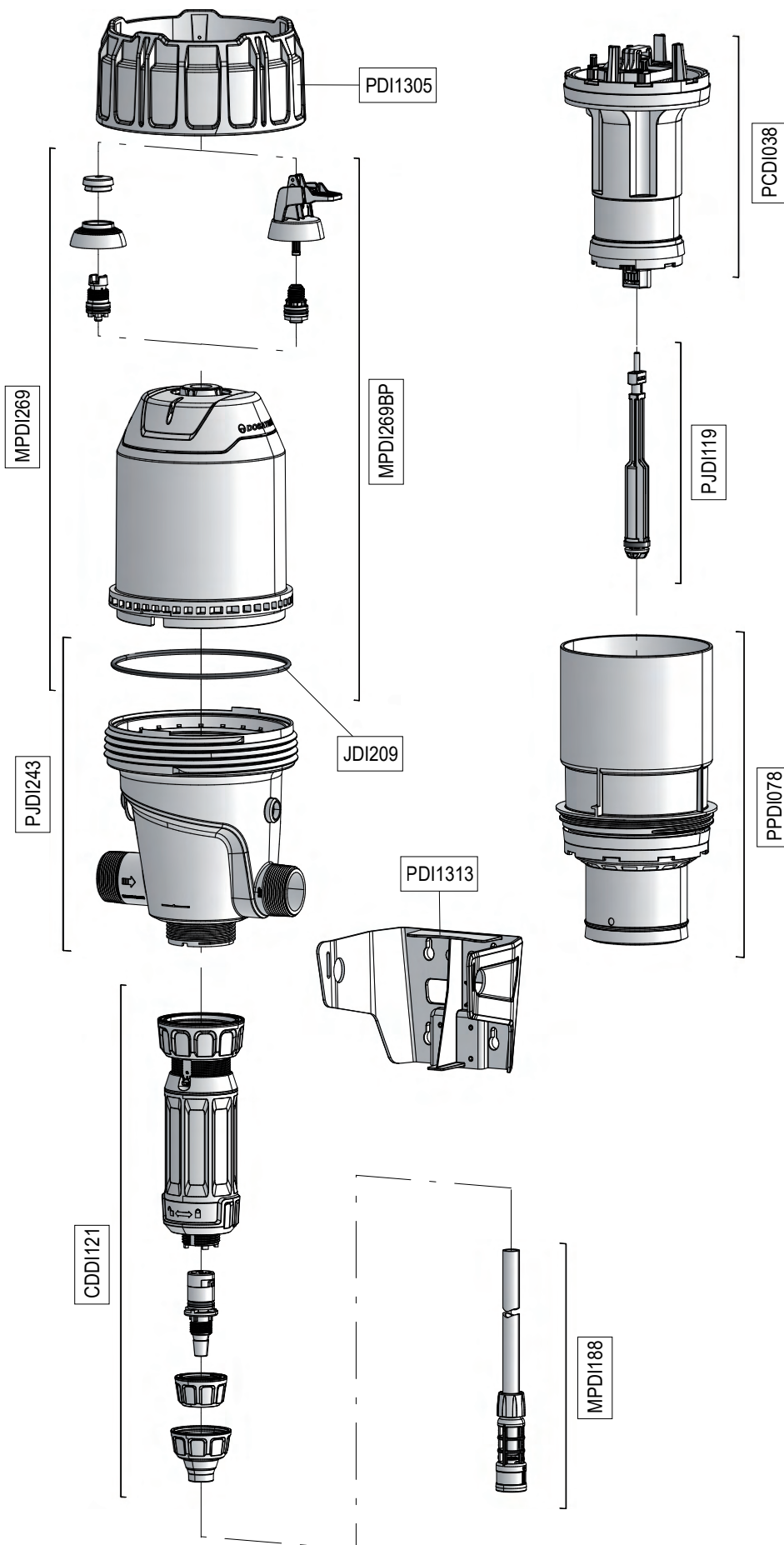


# D6 0.2 - 2%

6m<sup>3</sup>/h - 0.2 - 2%  
26 GPM - 1:500 - 1:50  
0.3 - 8 bar  
4.3 - 116 PSI



# D6 0.2 - 2%

6m<sup>3</sup>/h - 0.2 - 2%  
26 GPM - 1:500 - 1:50  
0.3 - 8 bar  
4.3 - 116 PSI

CDDI121



PJD1246

