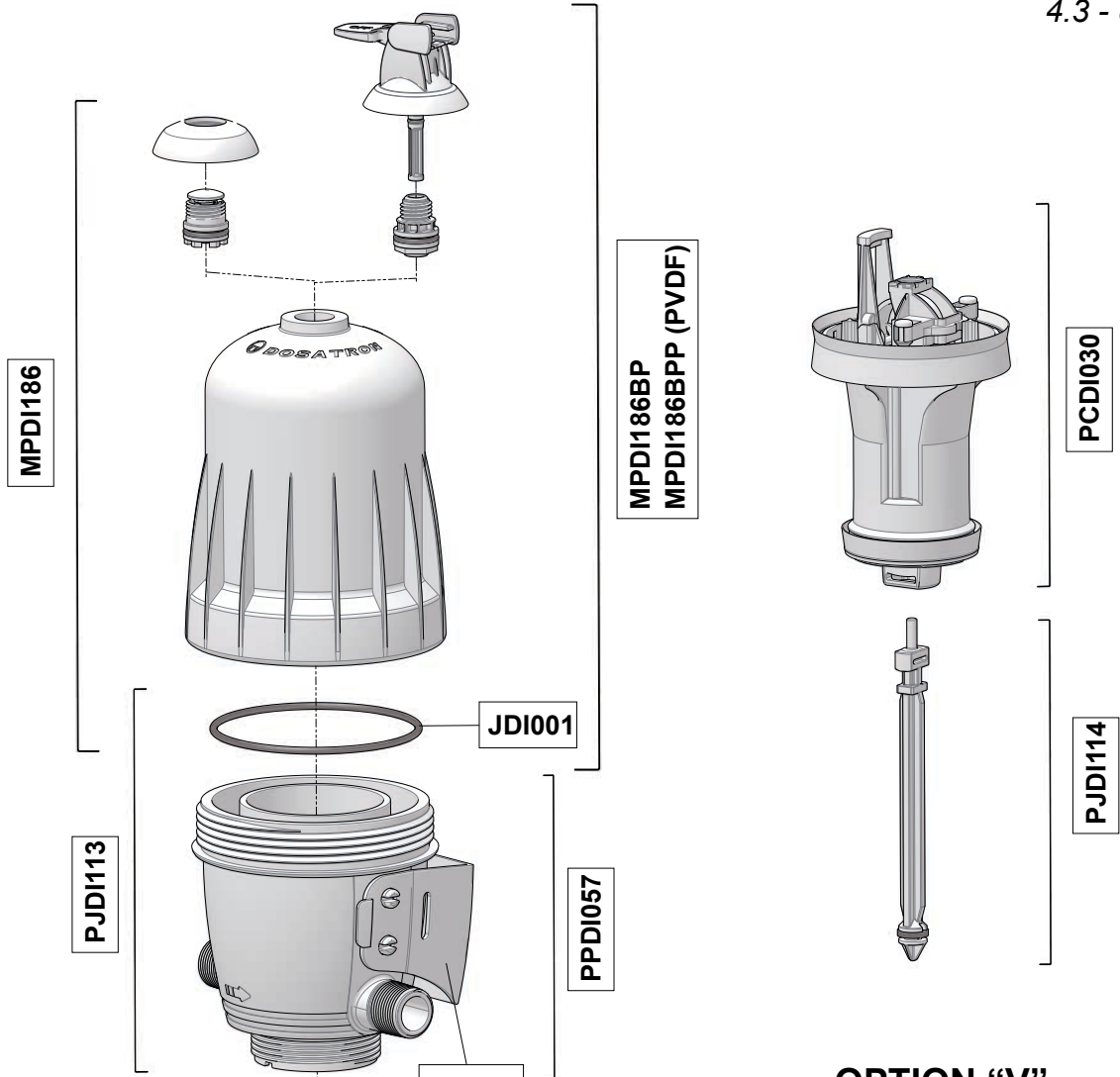


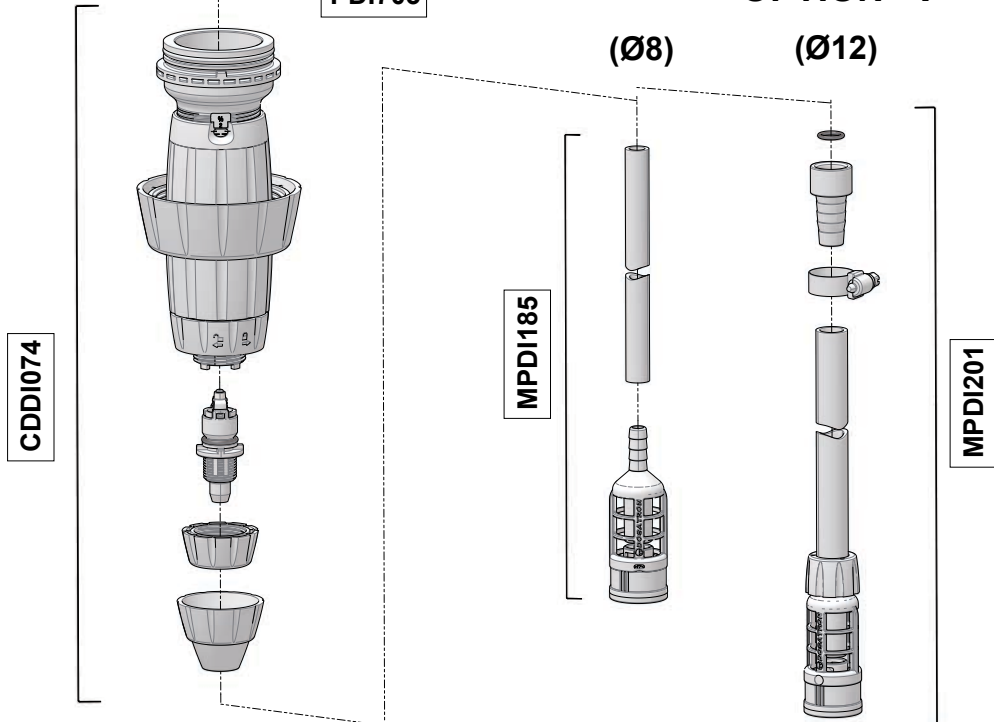
# D3 0.2 - 2%

3m<sup>3</sup>/h - 0.2 - 2%  
 14 GPM - 1:500 - 1:50  
 0.3 - 6 bar  
 4.3 - 85 psi

## OPTION



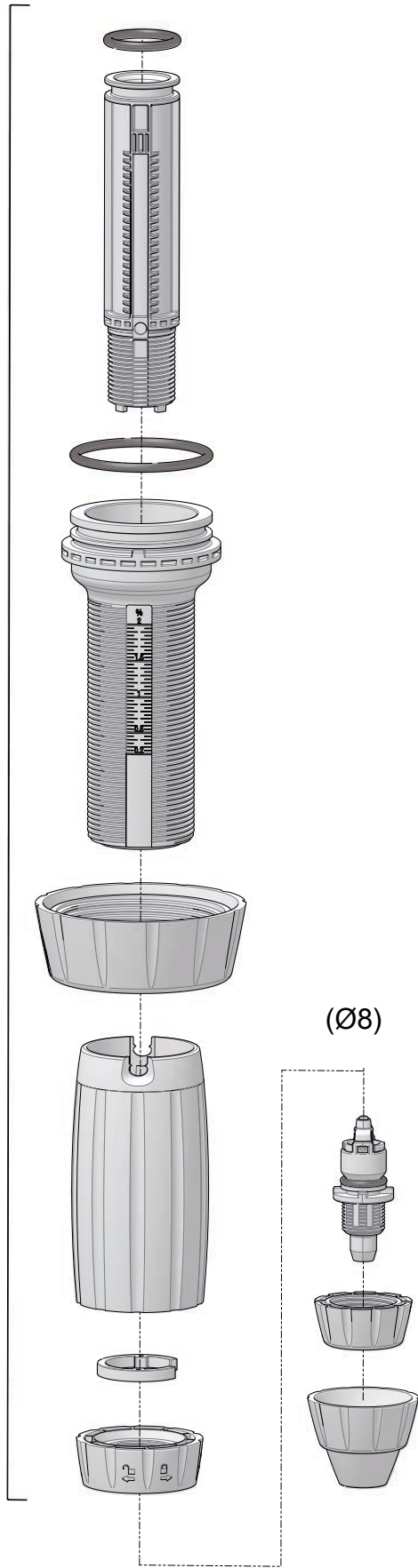
## OPTION "V"



# D3 0.2 - 2%

3m<sup>3</sup>/h - 0.2 - 2%  
14 GPM - 1:500 - 1:50  
0.3 - 6 bar  
4.3 - 85 psi

CDDI074



PJDI116

