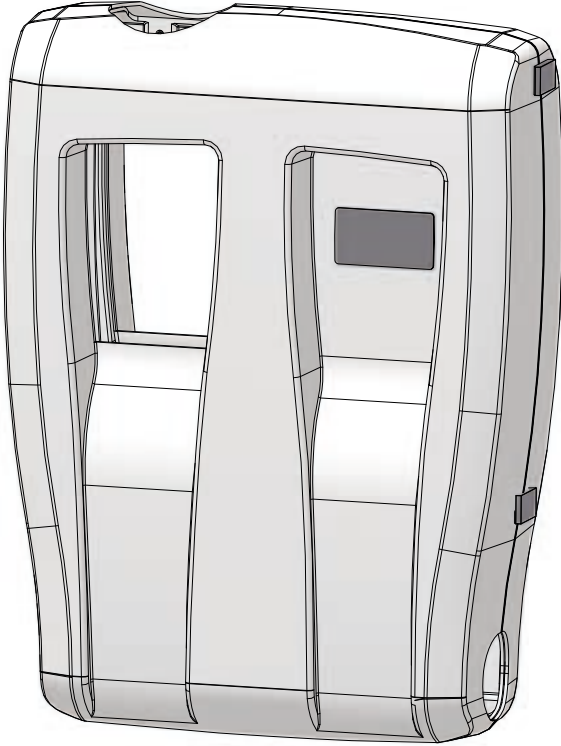


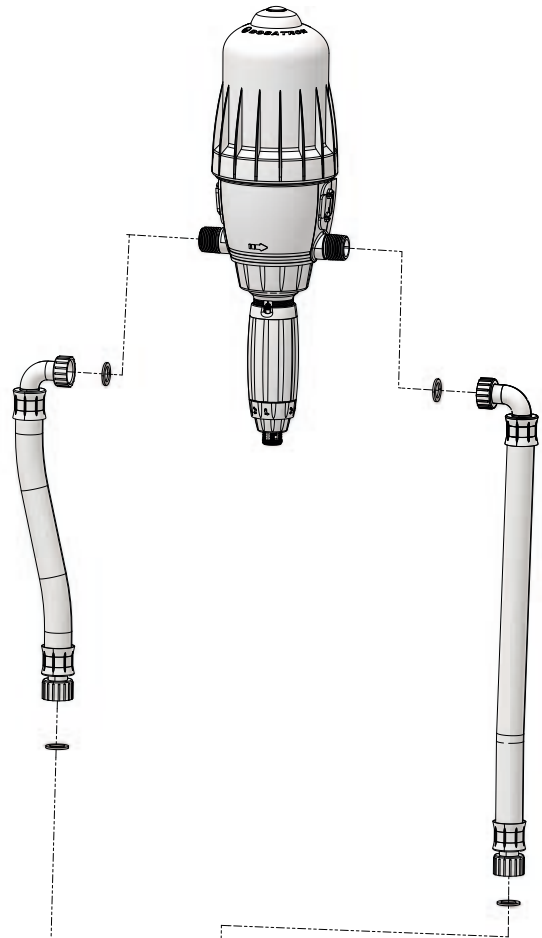
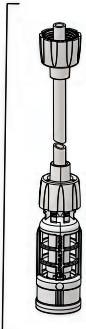
D30 0.003 - 0.03%

30m³/h - 0.003 - 0.03%
132 GPM - 1: 30000 - 1: 3000
0.5 - 8 bar
7.25 - 116 psi

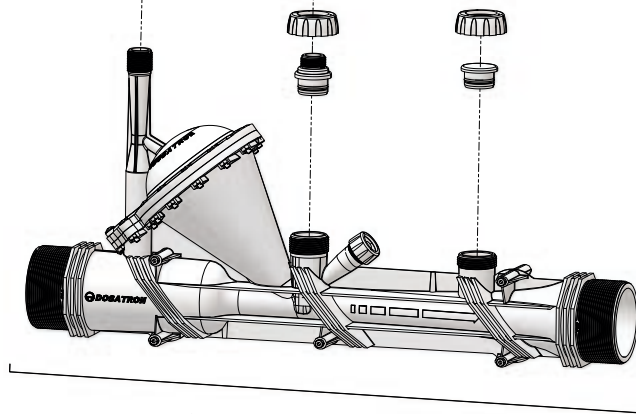
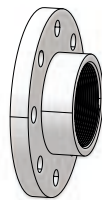
PJDI176



MPDI226



PJDI182



PJDI177



PDI1043 X 2

D30 0.003 - 0.03%

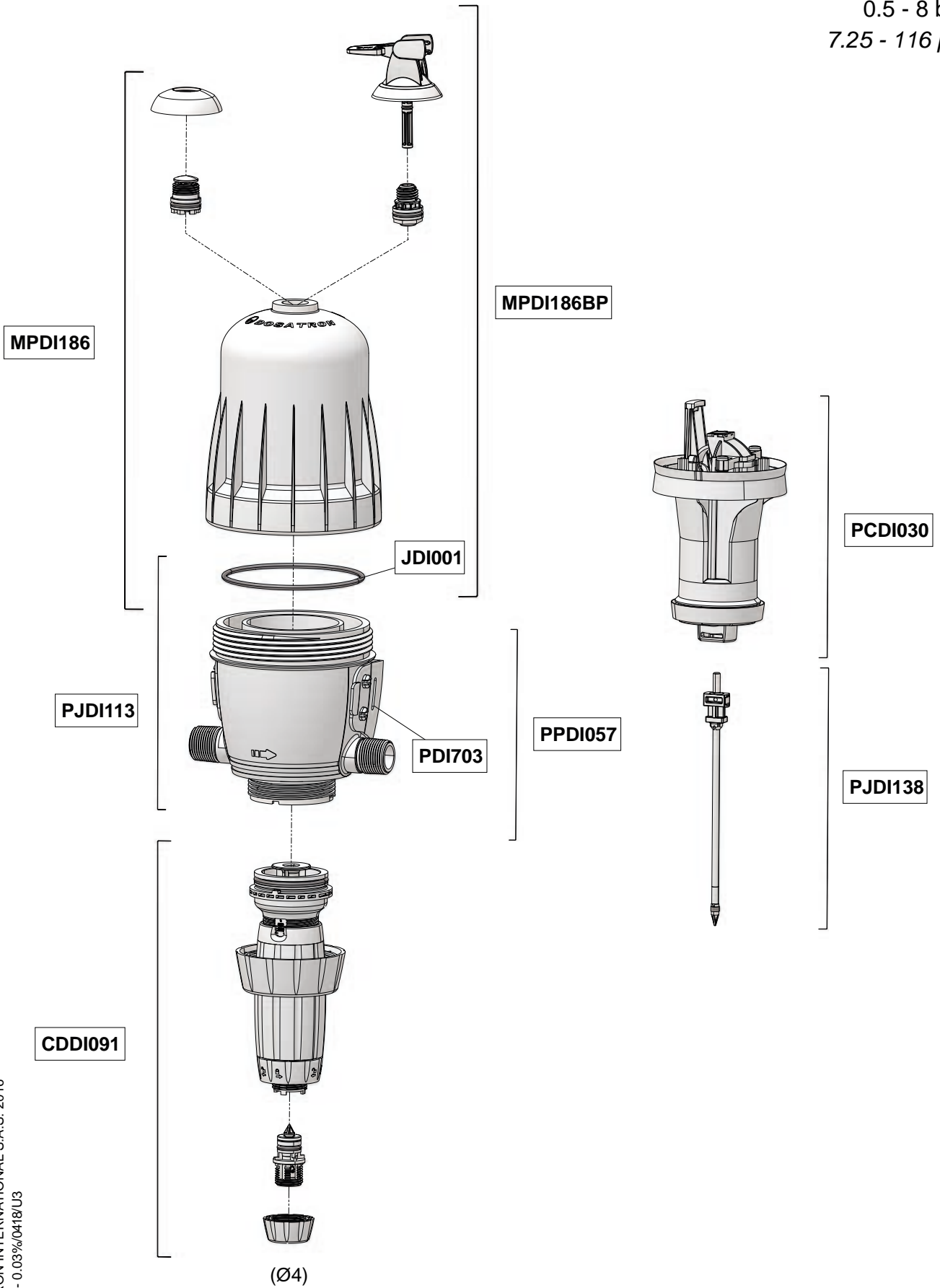
30m³/h - 0.003 - 0.03%
132 GPM - 1: 30000 - 1: 3000
0.5 - 8 bar
7.25 - 116 psi

EMDI009



D30 0.003 - 0.03%

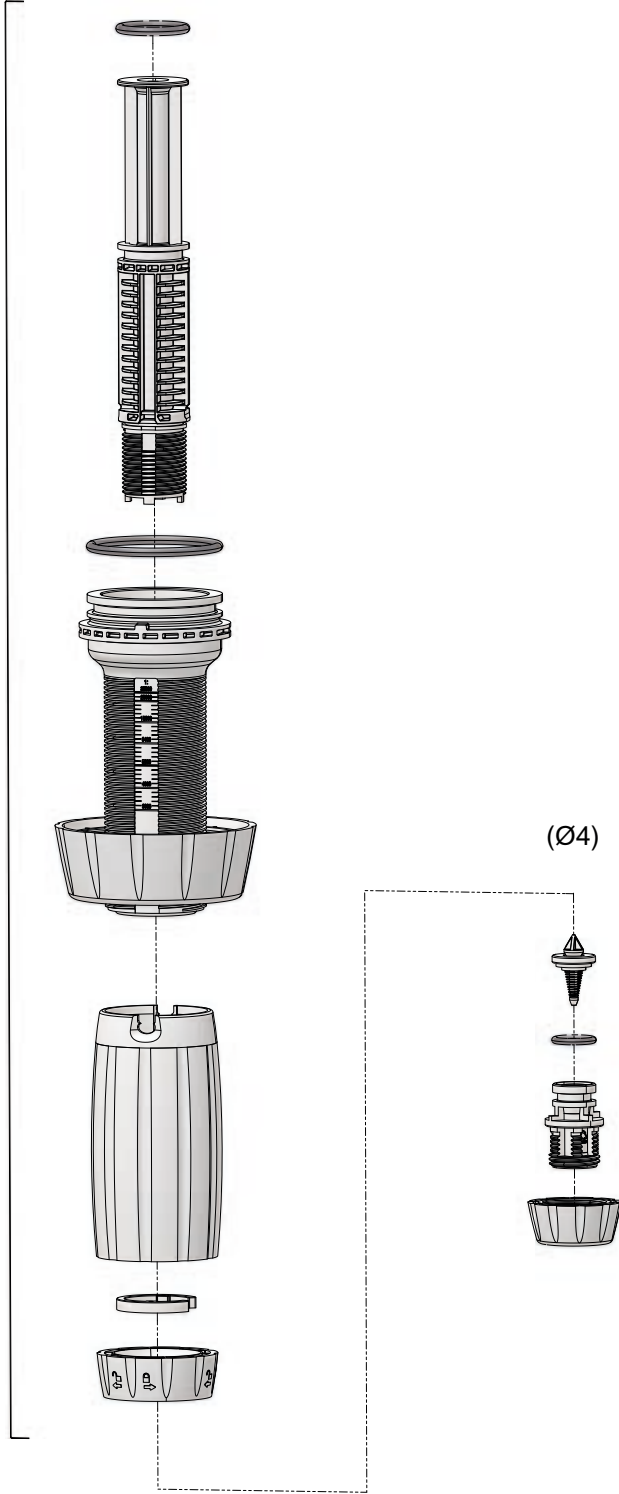
30m³/h - 0.003 - 0.03%
132 GPM - 1: 30000 - 1: 3000
0.5 - 8 bar
7.25 - 116 psi



D30 0.003 - 0.03%

30m³/h - 0.003 - 0.03%
132 GPM - 1: 30000 - 1: 3000
0.5 - 8 bar
7.25 - 116 psi

CDDI091



PJDI139

